



力霸水泵機械工程有限公司
SUPERPOWER PUMPING ENGINEERING Co., LTD



ICV-AR Valve Series



GATE VALVE



SILENT CHECK VALVE



BALL CHECK VALVE



SWING CHECK VALVE

40th
Anniversary

G/F., Times Tower, 928-930 Cheung Sha Wan Road, Kowloon, Hong Kong

Service Hotline: (852) 2746 4933

Tel: (852) 2745 3562 Fax: (852) 2786 2307 E-mail: info@sppump.com

Website: www.sppump.com



Gate Valve (Ductile Iron)

PN16

02/20

DN: 50 - 200

Features :

- Design according to EN 1074 & EN 1171
- Face to face dimension to BS EN 558
- Flanges and drillings to EN 1092-2
- Use for water to max. 70°C

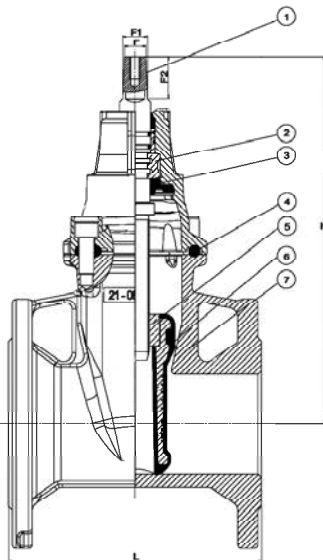
Test :

- Hydraulic test
- Seat : 1.1 x PN
- Body : 1.5 x PN

Optional extras :

- Hand wheel, extension spindle, stem cap, flange adaptor

Dimensions & Weights :



Materials :

| No | Parts | Material |
|----|---------------|---|
| 1 | Stem | Stainless steel 420 |
| 2 | Thrust collar | Dezincification resistant brass CW626N to EN 12165 |
| 3 | Manchette | EPDM rubber |
| 4 | Bonnet gasket | EPDM rubber |
| 5 | Stem nut | Dezincification resistant brass CW626N to EN 12165 |
| 6 | Disc | Ductile iron, core fully encapsulated with EPDM rubber with integral disc nut of dezincification resistant brass CW626N to EN 12165 |
| 7 | Body | Ductile iron, EN-GJS-500-7 |

| Ref. no. | DN | L | H | F | F1 | F2 | Weight (kg) |
|---------------|-----|-----|-----|----|----|----|-------------|
| 02-050-20-016 | 50 | 178 | 241 | 14 | 17 | 29 | 11 |
| 02-065-20-016 | 65 | 190 | 271 | 17 | 20 | 34 | 15 |
| 02-080-20-016 | 80 | 203 | 297 | 17 | 20 | 34 | 17 |
| 02-100-20-016 | 100 | 229 | 334 | 19 | 22 | 38 | 24 |
| 02-150-20-016 | 150 | 267 | 448 | 19 | 22 | 38 | 47 |
| 02-200-20-016 | 200 | 292 | 562 | 24 | 28 | 42 | 74 |

■ Acceptance Reference No. : C20170399



Gate Valve (Ductile Iron)

PN16

02/91

DN: 50 - 150

Features :

- Design according to EN 1074 & EN 1171
- Face to face dimension to BS EN 558
- Flanges and drillings to EN 1092-2
- Use for water to max. 70°C

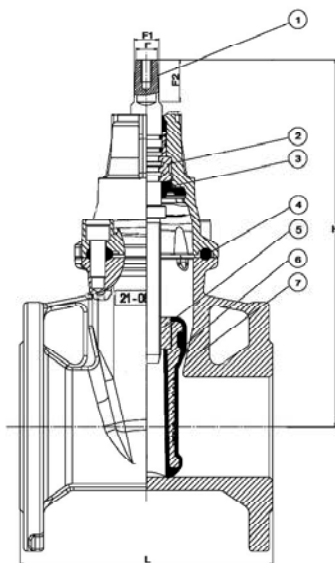
Test :

- Hydraulic test
- Seat : 1.1 x PN
- Body : 1.5 x PN

Optional extras :

- Hand wheel, extension spindle, stem cap, flange adaptor

Dimensions & Weights :



Materials :

| No | Parts | Material |
|----|---------------|---|
| 1 | Stem | Stainless steel 316 |
| 2 | Thrust collar | Dezincification resistant brass CW626N to EN 12165 |
| 3 | Manchette | EPDM rubber |
| 4 | Bonnet gasket | EPDM rubber |
| 5 | Stem nut | Dezincification resistant brass CW626N to EN 12165 |
| 6 | Disc | Ductile iron, core fully encapsulated with EPDM rubber with integral disc nut of dezincification resistant brass CW626N to EN 12165 |
| 7 | Body | Ductile iron, EN-GJS-500-7 |

| Ref. no. | DN | L | H | F | F1 | F2 | Weight (kg) |
|---------------|-----|-----|-----|----|----|----|-------------|
| 02-050-91-016 | 50 | 178 | 241 | 14 | 17 | 29 | 11 |
| 02-065-91-016 | 65 | 190 | 271 | 17 | 20 | 34 | 15 |
| 02-080-91-016 | 80 | 203 | 297 | 17 | 20 | 34 | 17 |
| 02-100-91-016 | 100 | 229 | 334 | 19 | 22 | 38 | 24 |
| 02-150-91-016 | 150 | 267 | 448 | 19 | 22 | 38 | 47 |

(Unit : mm)

■ Acceptance Reference No. : C20180063



Swing Check Valve (Ductile Iron)

PN16 41/21

DN: 65 - 150

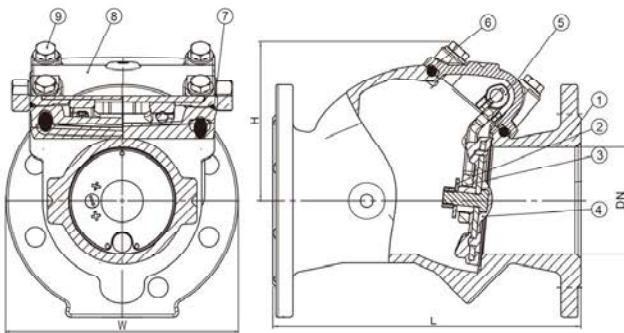
Features :

- Design according to BS EN 1074 part 3
- Face to face dimension to EN 558
- Standard flange drilling to BS EN 1092-2
- For water to max. 70°C

Test :

- Hydraulic test :
- Seat : 1.1 x PN
- Body : 1.5 x PN

Dimensions & Weights :



Materials :

| No | Parts Name | Material |
|----|---------------|--------------------------------|
| 1 | Body | Ductile iron, EN-GJS-500-7 |
| 2 | Washer | Stainless steel |
| 3 | Nut | Stainless steel |
| 4 | Disc | Carbon Steel with EPDM coating |
| 5 | Hinge | Stainless steel 316 |
| 6 | Bonnet gasket | EPDM |
| 7 | O-ring | EPDM |
| 8 | Bonnet | Ductile iron, EN-GJS-500-7 |
| 9 | Bolt | Stainless steel |

| Ref. no. | DN | L | H | W | Weight (kg) |
|---------------|-----|-----|-----|-----|-------------|
| 41-065-21-018 | 65 | 240 | 140 | 190 | 17 |
| 41-080-21-018 | 80 | 241 | 140 | 200 | 20 |
| 41-100-21-018 | 100 | 292 | 150 | 220 | 26 |
| 41-150-21-018 | 150 | 356 | 195 | 285 | 51 |

(Unit : mm)

■ Acceptance Reference No. : C20170294



Wafer Silent Check Valve (Ductile Iron)

PN16

903/02

DN: 50 - 150

Features :

- Use for water to max. 90°C

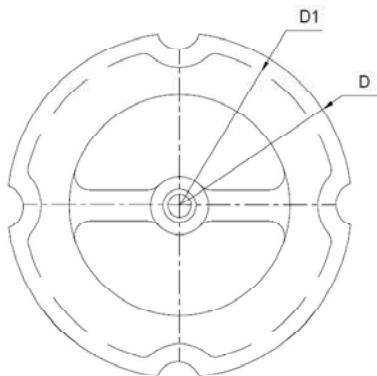
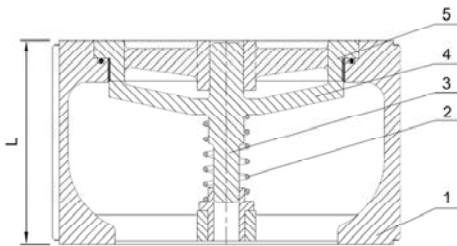
Test :

- Hydraulic test
- Seat : 1.1 x PN
- Body : 1.5 x PN

Marking :

- Body : ICV logo, DN, PN, casting no. and flow direction

Dimensions & Weights :



Materials :

| No | Parts | Material |
|----|--------|----------------------------|
| 1 | Body | Ductile iron, EN-GJS-500-7 |
| 2 | Spring | Stainless steel 316 |
| 3 | Stem | Stainless steel 316 |
| 4 | Disc | Stainless steel 316 |
| 5 | Seat | Stainless steel 316 |

| Ref. no. | DN | L | D | D1 | Weight (kg) |
|---------------|-----|-----|-----|-----|-------------|
| 9030200501116 | 50 | 67 | 108 | 105 | 2.57 |
| 9030200651116 | 65 | 73 | 127 | 125 | 3.34 |
| 9030200801116 | 80 | 83 | 146 | 140 | 4.75 |
| 9030201001116 | 100 | 102 | 178 | 160 | 7.90 |
| 9030201501116 | 150 | 140 | 248 | 216 | 16.00 |

(Unit : mm)

■ Acceptance Reference No. : C20170423



Ball Check Valve (Ductile Iron)

PN10/ PN16 53/35

DN: 50 - 600

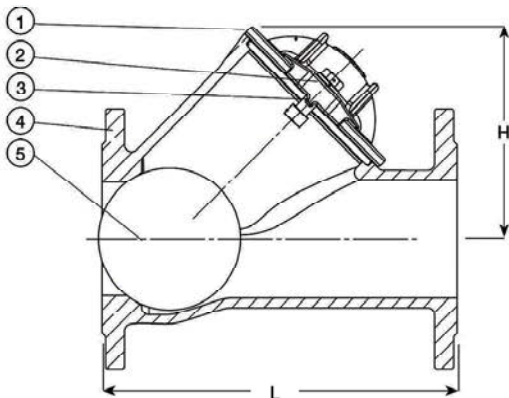
Features :

- Design according to EN 12050 - 4
- Face to face according to DIN 3202 - F6
- Flanges and drillings to EN 1092-2
- Use for water to max. 70°C

Test :

- Hydraulic test
- Seat : 1.1 x PN
- Body : 1.5 x PN

Dimensions & Weights :



Component List :

| | |
|-----------|---------|
| 1. Cover | 2. Bolt |
| 3. Gasket | 4. Body |
| 5. Ball | |



Materials :

- Body : Ductile iron, EN-GJS-500-7
- Cover : Ductile iron, EN-GJS-500-7
- Ball : Aluminium DN50-100
Ductile iron DN125-500
vulcanized with NBR rubber
PUR DN600
- Bolt : Stainless steel
- Coating : Epoxy coating RAL7011

| Ref. no. | DN | L | H | Weight (kg) |
|----------------|-----|------|------|-------------|
| 53-050-35-X007 | 50 | 200 | 101 | 7.5 |
| 53-065-35-X007 | 65 | 230 | 148 | 12 |
| 53-080-35-X007 | 80 | 260 | 148 | 13 |
| 53-100-35-X007 | 100 | 300 | 182 | 18 |
| 53-125-35-X007 | 125 | 350 | 251 | 35 |
| 53-150-35-X007 | 150 | 400 | 251 | 37 |
| 53-200-35-0007 | 200 | 500 | 333 | 68 |
| 53-250-35-X007 | 250 | 600 | 406 | 112 |
| 53-300-35-X007 | 300 | 700 | 480 | 163 |
| 53-350-35-0007 | 350 | 800 | 571 | 289 |
| 53-400-35-0007 | 400 | 900 | 657 | 416 |
| 53-500-35-0007 | 500 | 1100 | 930 | 712 |
| 53-600-35-0207 | 600 | 1300 | 1010 | 1200 |

X = 0, PN 10 ; X = 1, PN 16

(Unit : mm)

NOTE



SPV SERIES



SPLV SERIES



SUBMERSIBLE PUMP SERIES



SPE, SPI, SPS SERIES



SUPERPOWER PUMPING ENGINEERING CO., LTD

G/F., Times Tower, 928-930 Cheung Sha Wan Road, Kowloon, Hong Kong

Sales Hotline: (852) 2746 4933

Fax: (852) 2786 2307

Website: www.sppump.com

Email: info@sppump.com



ISO 9001



ISO 14001



OHSAS 18001



WASTEWISE



CARING COMPANY

While the production techniques continue to improve, designs and materials used for the products may thus be varied from time to time. No further notice will be provided.

Rev. 03/2018